

Portuguese company medical device manufacturer seeks metal fabricator for bent and welded tubing to be incorporated into the assembly of a physiotherapy device under supplier agreement

Summary

Profile type

Business request

Company's country

Portugal

POD reference

BRPT20260416008

Profile status

PUBLISHED

Type of partnership

Supplier agreement

Targeted countries

• All countries

Contact Person

[Enrico FRANZIN](#)

Term of validity

16 Apr 2026**16 Apr 2027**

Last update

16 Apr 2026

General Information

Short summary

Portuguese company specialized in rehabilitation technologies is looking for a metal fabricator for bent and welded tubing to be incorporated into the assembly of a physiotherapy device of a physiotherapy device under a supplier agreement. The company intends to stablish supplier agreement.

Full description

A Portuguese SME established in Coimbra, Centro Region of Portugal, since in 2011, operates as a technology consultancy and medical device developer with ISO 9001 and ISO 13485 certifications for medical devices. The company focuses on integrating sensors, robotics, software, and biofeedback systems to create innovative solutions for healthcare and rehabilitation.

The company develops technologies that measure movement, balance, and functional performance to support clinical decision-making and rehabilitation programs in the areas of: stabilometry and baropodometry; robotics and haptic devices; and data acquisition and processing.

Under the company's operation in the field of physical rehabilitation solutions, the company is seeking for metal fabricator for bent and welded tubing to be incorporated into the assembly of a physiotherapy device to be incorporated into the assembly of a physiotherapy device.

These bent and welded tubes will be used in the assembly of a physiotherapy device, for patients undergoing physical therapy, gait training, or balance recovery.

The ideal partner should have experience in producing metal parts. A supplier agreement is sought to ensure continuous production aligned with European safety standards.

Advantages and innovations

The company is recognized for its rehabilitation technologies that integrate biomechanics, motion tracking and patient centric design. By partnering with the company, the manufacturer will benefit from stable demand and long term collaboration opportunities.

Technical specification or expertise sought

- Ability to manufacture metal sheets.
- Experience with metal manufacturers.
- Capable of strictly following the presented diagram.

Stage of development

Already on the market

Sustainable Development goals

- **Goal 17: Partnerships to achieve the Goal**
- **Goal 9: Industry, Innovation and Infrastructure**
- **Goal 8: Decent Work and Economic Growth**
- **Goal 12: Responsible Consumption and Production**
- **Goal 3: Good Health and Well-being**

IPR Status

IPR Notes

IPR Notes

Partner Sought

Expected role of the partner

Metal fabricator for bent and welded tubing to be incorporated into the assembly of a physiotherapy device. The partner should provide manufacturing services, support co design iterations, and ensure compliance with required standards (CE).

Type of partnership

Supplier agreement

Type and size of the partner

- **SME <=10**
- **SME 50 - 249**
- **SME 11-49**
- **Big company**

Dissemination

Technology keywords

- **06001020 - Physiotherapy, Orthopaedic Technology**
- **02007010 - Metals and Alloys**
- **06001022 - Medical Textiles**

Targeted countries

- **All countries**

Market keywords

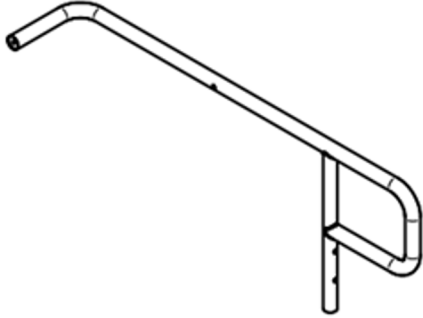
- **08001012 - Speciality metals (including processes for working with metals)**
- **08003001 - Machine tools, other metal working equipment (excl. numeric control)**
- **05010001 - Safety for the elderly**
- **05007007 - Other medical/health related (not elsewhere classified)**

Sector groups involved

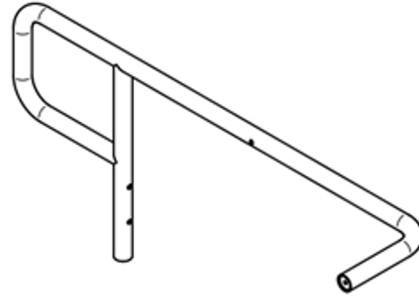
- **Retail**
- **Health**

Media

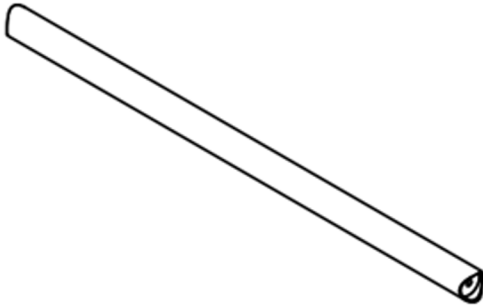
Images



[Tubo1.png](#)



[Tubo2.png](#)



[Tubo3.png](#)